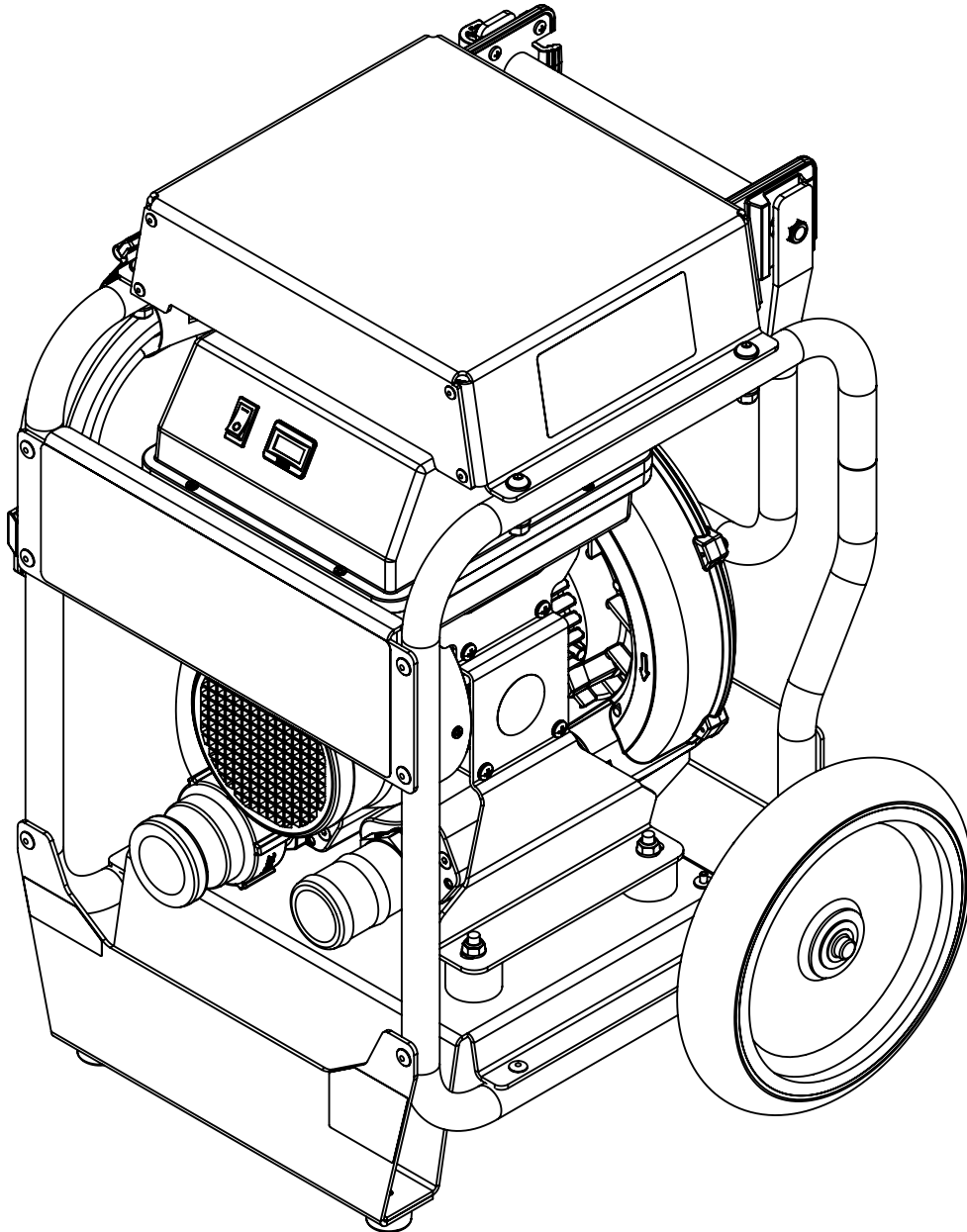
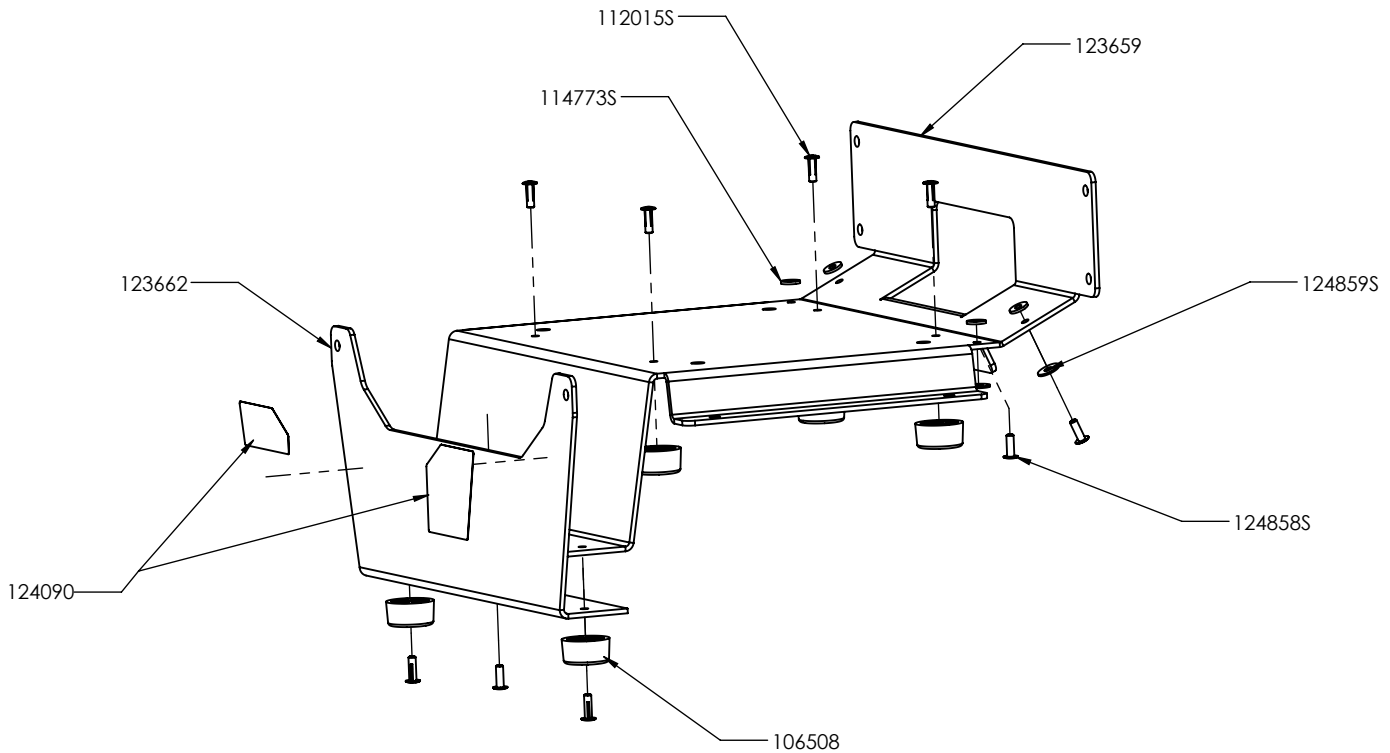


DRIFORCE XL SPECIALTY AIRMOVER

MANUFACTURING DATE: 06/2021-PRESENT



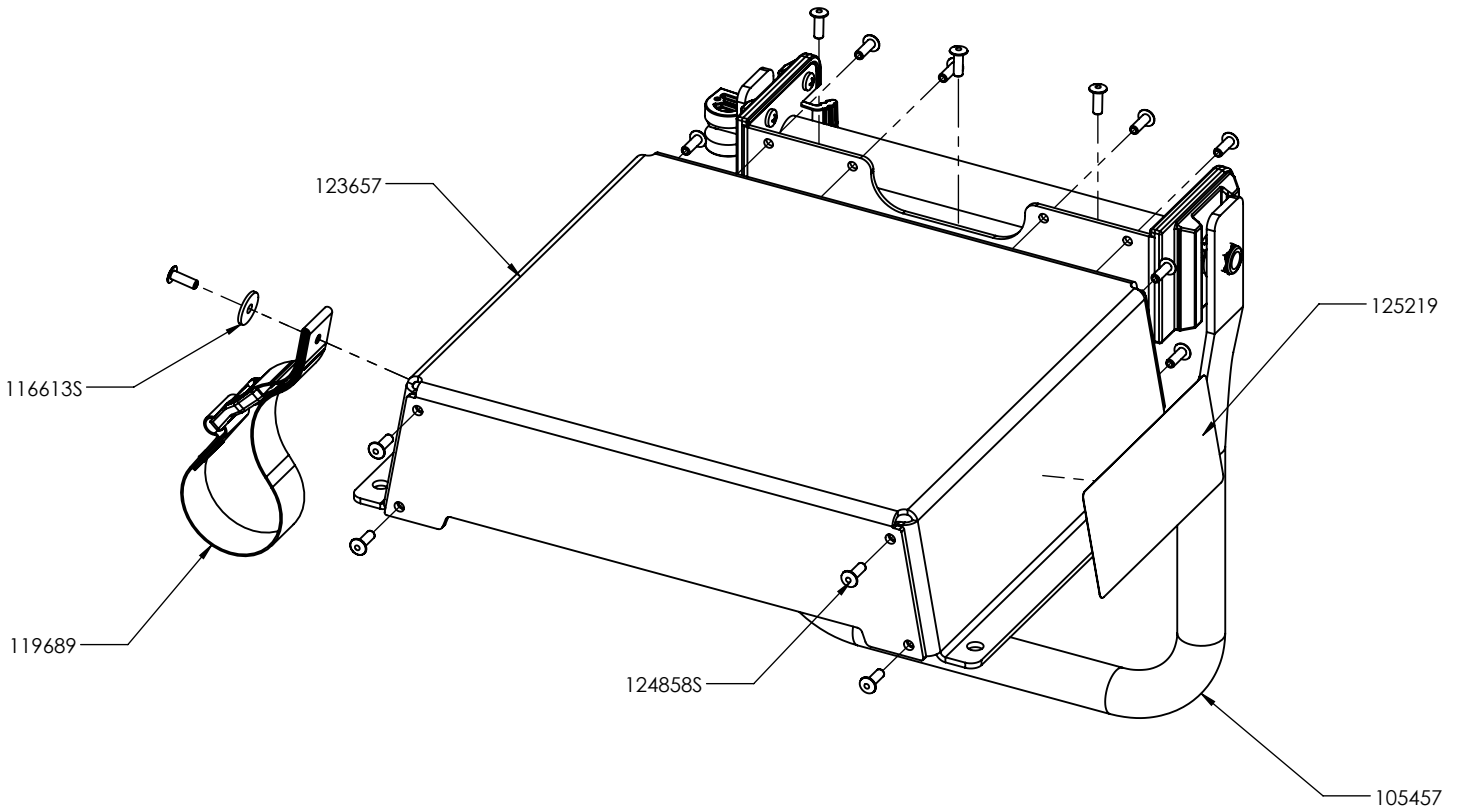
Parts are available through Legend Brands distributors. To locate a distributor near you, visit [Legendbrandsrestoration.com/Dealer-Search](https://www.legendbrandsrestoration.com/Dealer-Search)
For technical questions, visit [info.LegendBrands.com](https://www.info.LegendBrands.com) or email service@legendbrandsrestoration.com



BASE ASSEMBLY

PART NO.	QTY	UNIT	DESCRIPTION
124859S	4	EA	WASHER - M5 FENDER 5.3MM ID X 15MM OD X 1.2MM NYLON
124858S	5	EA	RIVET - 3/16 X 3/8 STL/STL ZP
124090	1	EA	LABEL - INLET/OUTLET DRIFORCE XL
123662	1	EA	BRACKET - FOOT BASE .090 ALUM PC DXFL
123659	1	EA	BRACKET - BLOWER BASE .090 ALUM PC DXFL
123656	1	EA	AXLE ASSY - .5 OD ZP STL DXFL
114773S	4	EA	WASHER - 3/16 .19 ID X .47 OD X .05 ZP
112015S	6	EA	RIVET - 3/16 X 5/8 TRI FOLD AL/AL
106508	6	EA	FOOT - ROUND 3/16 ID X 1.25 OD X 5/8 RUBBER BLK

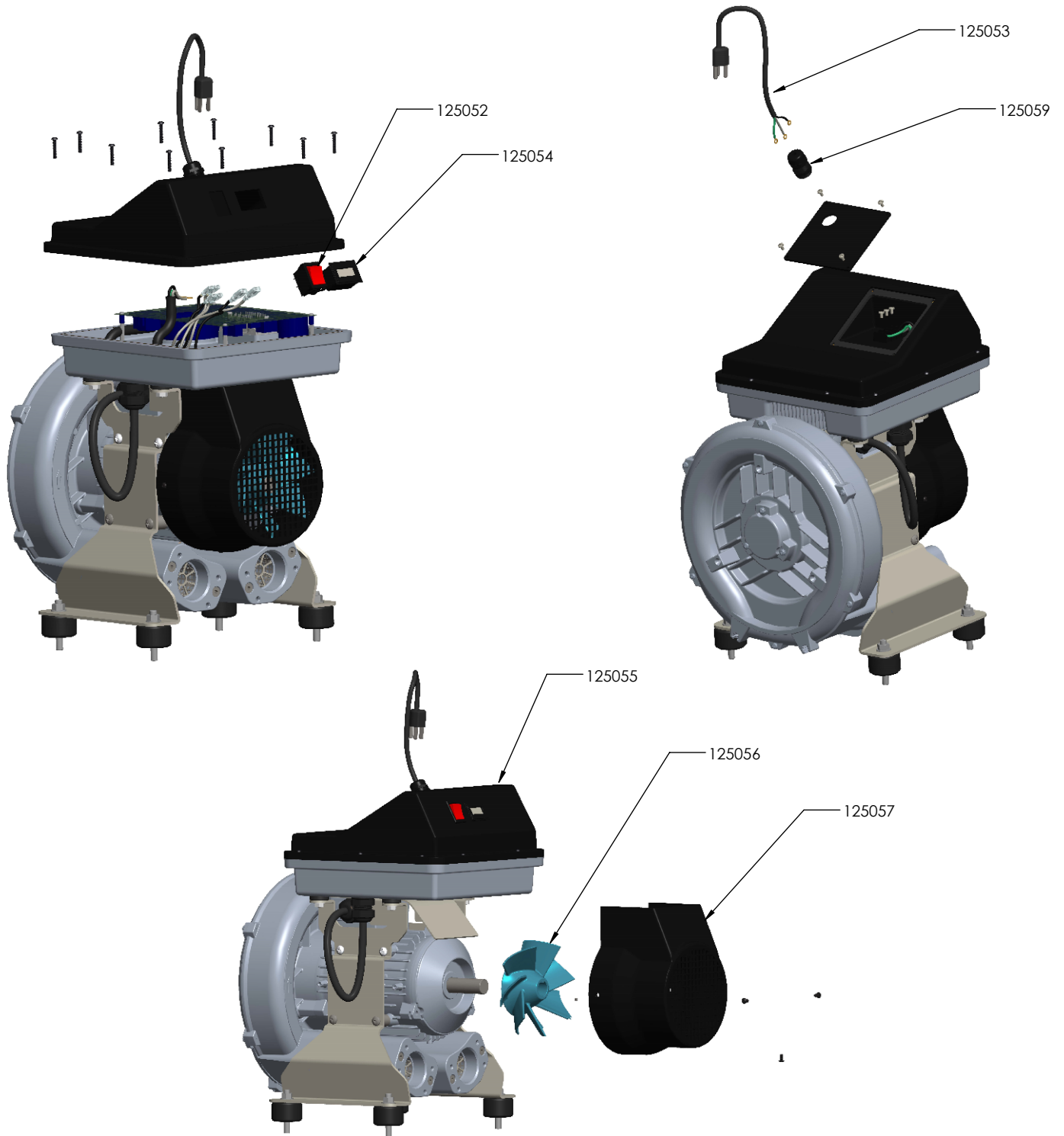
Parts are available through Legend Brands distributors. To locate a distributor near you, visit Legendbrandsrestoration.com/Dealer-Search
 For technical questions, visit info.LegendBrands.com or email service@legendbrandsrestoration.com



TOP COVER ASSEMBLY

PART NO.	QTY	UNIT	DESCRIPTION
125219	1	EA	LABEL - WARNING AIRMOVER SAFETY HOT SURFACE
124858S	16	EA	RIVET - 3/16 X 3/8 STL/STL ZP
123657	1	EA	COVER - TOP PC DFXL
119689	1	EA	STRAP ASSY - POWER CORD WITH G-HOOK
116613S	1	EA	WASHER - FLAT .203 ID X .734 OD X .06 THK ZP
105457	1	EA	HANDLE ASSEMBLY

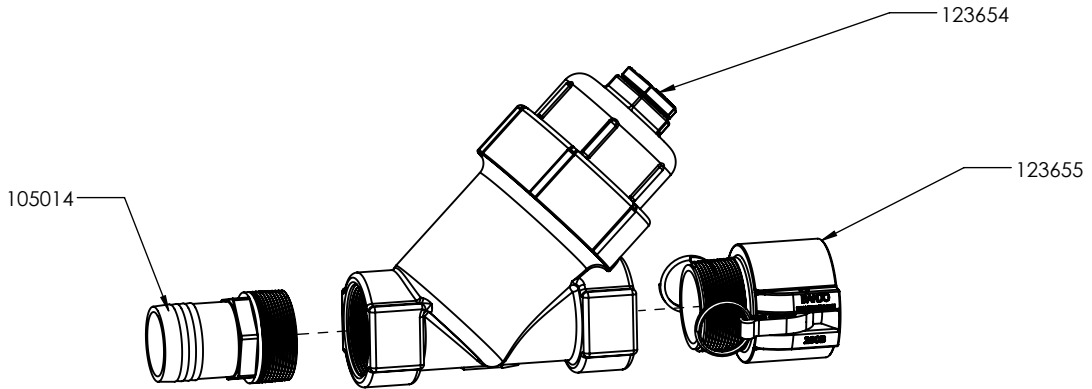
Parts are available through Legend Brands distributors. To locate a distributor near you, visit Legendbrandsrestoration.com/Dealer-Search
 For technical questions, visit info.LegendBrands.com or email service@legendbrandsrestoration.com



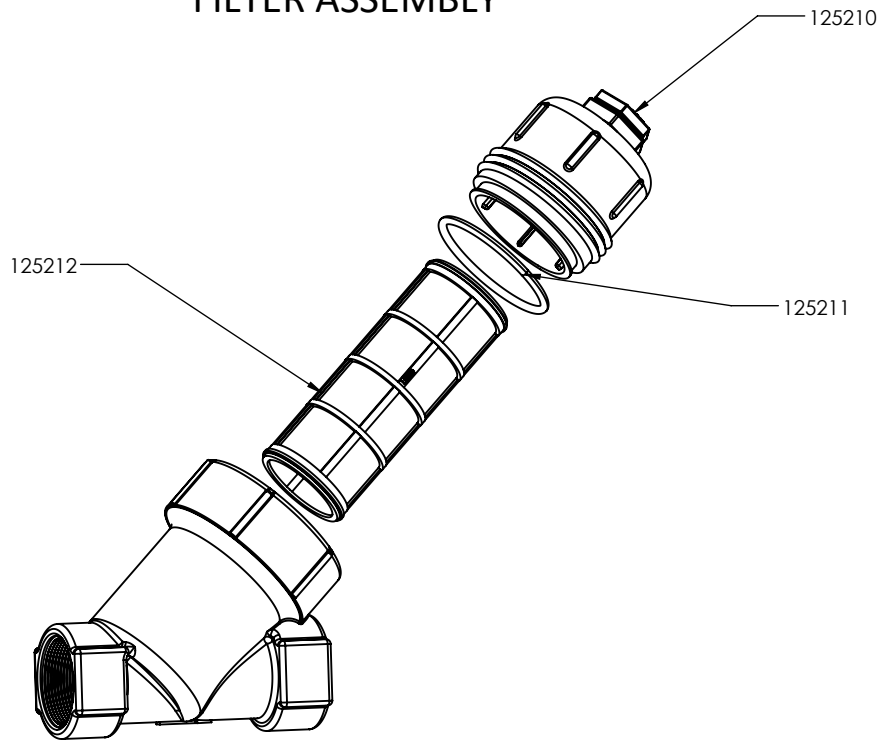
BLOWER & VFD ASSEMBLY

PART NO.	QTY	UNIT	DESCRIPTION
125059	1	EA	STRAIN RELIEF - PG-13 PIG TAIL W/ LOCK NUT
125057	1	EA	SHROUD – COOLING FAN DFXL
125056	1	EA	FAN – COOLING DFXL
125055	1	EA	VFD – MOTOR CONTROL DFXL
125054	1	EA	HOUR METER - GASKETED 5-DIGIT 115/230V
125053	1	EA	POWER CORD - 14/3 SJTW 25FT LIT PLUG DFXL
125052	1	EA	SWITCH - ROCKER DPST 16A 125/250V RED

Parts are available through Legend Brands distributors. To locate a distributor near you, visit Legendbrandsrestoration.com/Dealer-Search
 For technical questions, visit info.LegendBrands.com or email service@legendbrandsrestoration.com



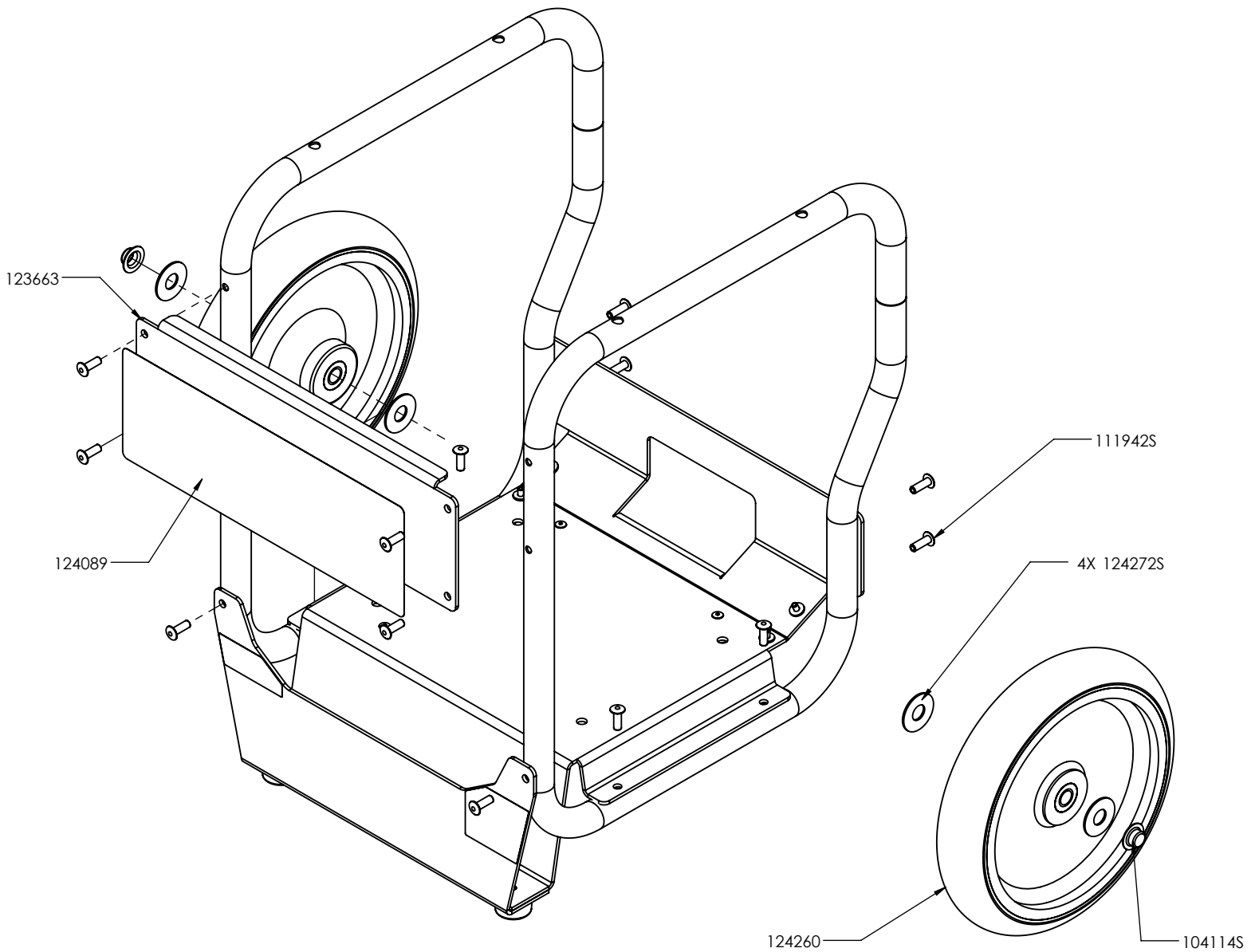
FILTER ASSEMBLY



FILTER MAINTENANCE PARTS

PART NO.	QTY	UNIT	DESCRIPTION
125212	1	EA	STRAINER - 30 MESH Y-FILTER DXFL
125211	1	EA	O-RING - 1-1/2"-2" Y-FILTER DXFL
125210	1	EA	ASSY - END CAP Y-FILTER DXFL
123655	1	EA	FITTING - 2.0 MNPT X 2.0 FEMALE CAM PP
123654	1	EA	FILTER - Y STRAINER 2.0 FNPT 30 MESH PP
105014	1	EA	FITTING - 2.0 NPT X 2.0 HB PP

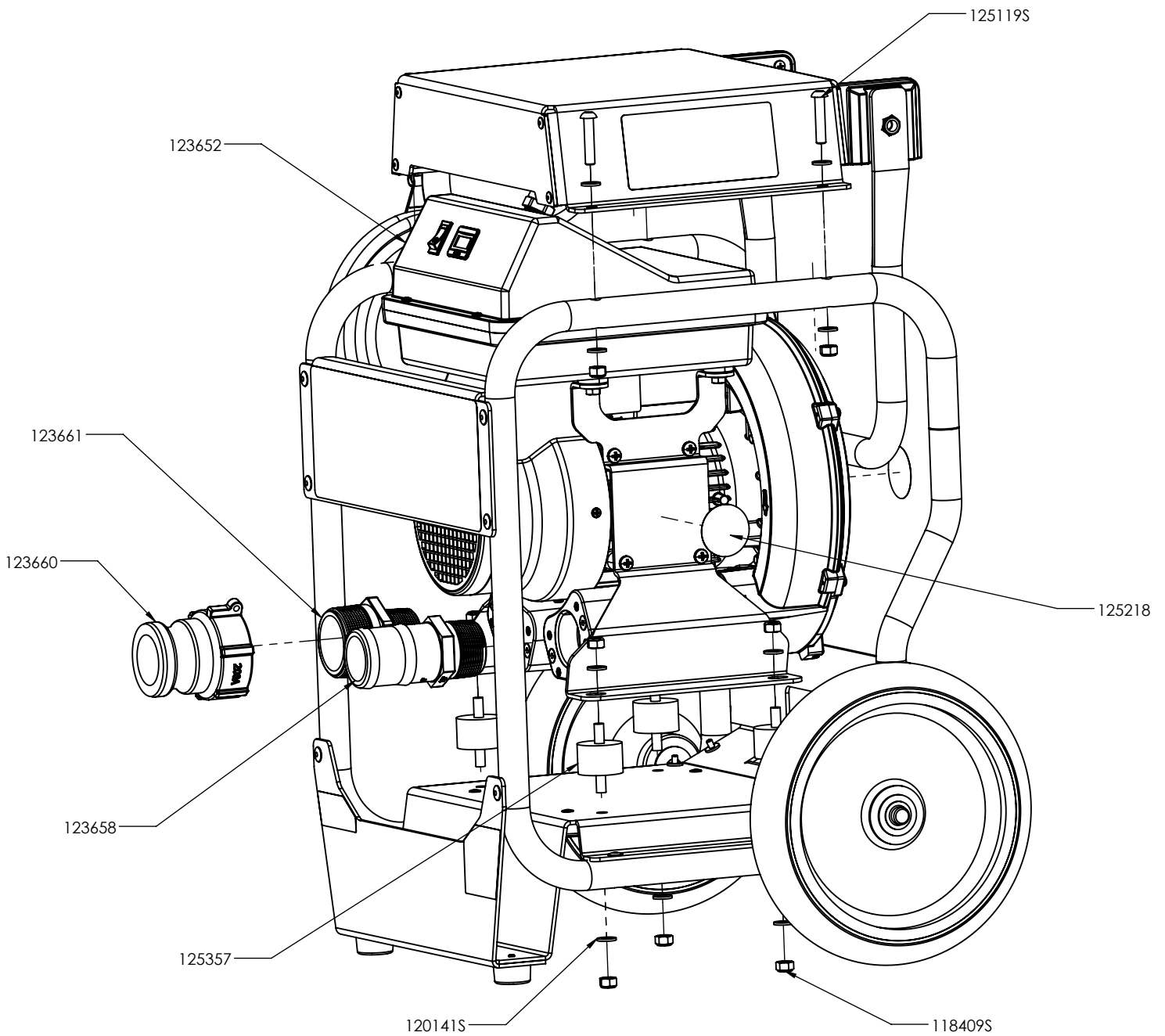
Parts are available through Legend Brands distributors. To locate a distributor near you, visit Legendbrandsrestoration.com/Dealer-Search
 For technical questions, visit info.LegendBrands.com or email service@legendbrandsrestoration.com



FRAME ASSEMBLY

PART NO.	QTY	UNIT	DESCRIPTION
124272S	4	EA	WASHER - 1/2 FLAT .56 ID X 1.375 OD X .062 18-8 SS
124260	2	EA	WHEEL - 10 X 2.0 X .5 BORE GRY
124089	1	EA	LABEL - PRODUCT DRIFORCE XL
123663	1	EA	PANEL - FRONT PC DXFL
123653	2	EA	TUBE - FRAME 1.00 OD X .059 WALL CARBON STEEL DXFL
111942S	14	EA	RIVET - 1/4 X 1/4 STL/STL ZP 8-4
104114	2	EA	END CAP - AXLE

Parts are available through Legend Brands distributors. To locate a distributor near you, visit Legendbrandsrestoration.com/Dealer-Search
 For technical questions, visit info.LegendBrands.com or email service@legendbrandsrestoration.com

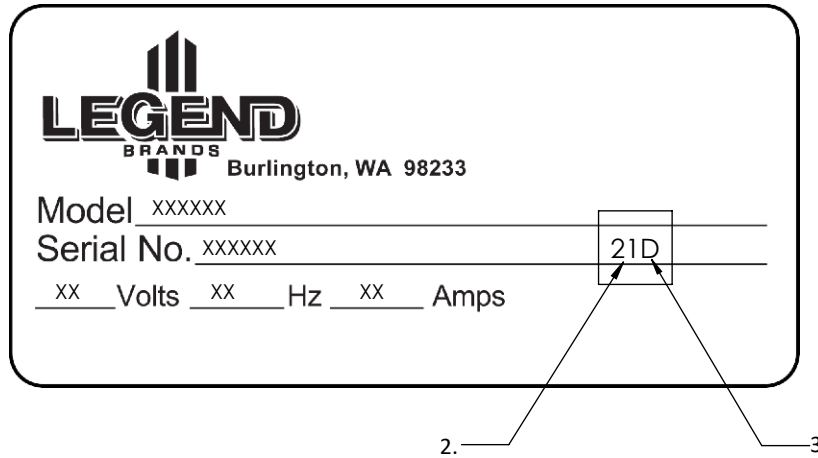


FINAL ASSEMBLY

PART NO.	QTY	UNIT	DESCRIPTION
125357	4	EA	ISOLATOR - VIBRATION 1.5 X 1.0 80 DURO 2 X M8 X 1.25 X 16.5
125218	3	EA	LABEL - WARNING HOT SURFACE GRAPHIC
125119S	4	EA	SCREW - M8-1.25 X 40MM BSHCS ZP
123661	1	EA	FITTING - REDUCER 1.5 MNPT X 2.0 MNPT PP
123660	1	EA	FITTING - ADAPTER 2.0 FNPT X 2.0 MALE CAM PP
123658	1	EA	FITTING - ADAPTER 1.5 MNPT X 2.0 HB PP
123652	1	EA	BLOWER ASSY - REGEN 115/230V 2HP 125 CFM VFD
120141S	16	EA	WASHER - M8 ZINC
118409S	12	EA	NUT - M8 X 1.25 NYLOC ZP

Parts are available through Legend Brands distributors. To locate a distributor near you, visit Legendbrandsrestoration.com/Dealer-Search
 For technical questions, visit info.LegendBrands.com or email service@legendbrandsrestoration.com

DATE CODE LEGEND



1. THE DATE CODE CAN BE FOUND ON THE RIGHT SIDE OF THE SERIAL NUMBER LINE
2. THE FIRST PORTION OF THE DATE CODE REPRESENTS THE LAST TWO DIGITS OF THE YEAR IN WHICH THE PRODUCT WAS MANUFACTURED
3. THE SECOND PORTION OF THE DATE CODE REPRESENTS THE MONTH IN WHICH THE PRODUCT WAS MANUFACTURED. THE MONTHS ARE REPRESENTED BY LETTERS OUTLINED IN THE TABLE BELOW.

LETTER	MONTH
A	JANUARY
B	FEBRUARY
C	MARCH
D	APRIL
E	MAY
F	JUNE
G	JULY
H	AUGUST
I	SEPTEMBER
J	OCTOBER
K	NOVEMBER
L	DECEMBER

NOTE:
 SERIAL LABEL DETAILS (I.E. BRANDING, SPECIFICATIONS, ETC.) ARE SUBJECT TO CHANGE BASED ON THE PRODUCT