

# FLEXI PRO

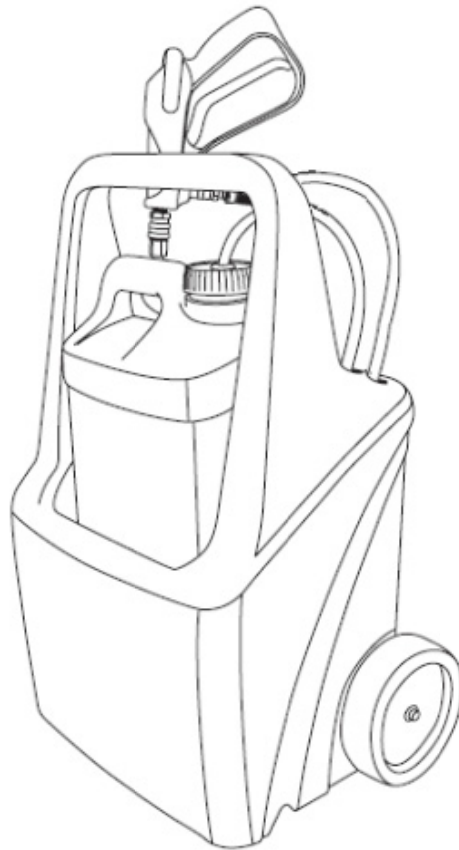
## SPRAYER

by **HYDRO-FORCE**

### 12 Volt Battery Powered Sprayer

#### **NOTICE**

This unit uses a lead acid battery. The charge capacity of the battery can be greatly diminished if fully discharged. Care should be given to charge the battery between uses to prevent shortening the service life of the battery.



# Table of Contents

Feature and Benefits	3
Specifications	3
Complete Sprayer Diagram	4
Complete Sprayer Parts List	5
Sprayer Body and Gun Diagram	6
Sprayer Body and Gun Parts List	7
Sprayer Base Diagram	8
Sprayer Base Parts List	9
Wiring - Flexi Pro AS75	10
Flexi Pro Chargers	11
Safety and General Maintenance	12
Charging	12 & 13
Operation	13
Troubleshooting	14
Warranty Information	16

**Wide Bottom:** prevents the sprayer from tipping over

**Translucent Bottle:** make it easy to see the level of chemical

**2 1/2 Gallon Bottle:** the sprayer holds more chemical, allowing less frequent refilling.

**Removable Bottle:** allows for quick chemical switching

**Large cap:** enables easy refills and less chance of spills

**15 Feet of Coiled Hose:** Pre-spray upholstery with sprayer in one position

**Built In Extension Holder:** Keep out of the way on truck

**Large Wheels:** Easy movement on commercial jobs or large rooms

**Extendable Handle:** for easy transportation and movement

**Extra Jets Easily Attached:** move from carpet pre-spray to upholstery pre-spray to protector with different jets

**Easy Priming and Rinsing of Lines:** removable jets

**Easy to Recharge:** Car Charger NM4132 - Plugs into vehicle cigarette lighter to top-off battery charge between jobs. AC Wall Charger NM4130 - Plugs into 110v wall outlet for long term charging. Both chargers included with every sprayer. See "Charging" section for specifics.

**Length of Charge:** sprays up to 45 gallons on full charge

**Easy to Fix:** remove 6 screws to service pump or battery

**Sealed Cavity:** pump and battery protected from spills

**Flojet Water Pump:** durable, easy to maintain, self-priming

**Roto-molded Plastic:** proven to last for years

---

## Specifications

### Hose

Length: 15'  
Diameter: 3/8" OD / 1/4" ID

### Charger

110 V Wall Charger (Included)  
12 V Car Charger (Included)

### Battery

Sealed, Rechargeable  
Volts: 12.0  
Amperage: 8.0 amp hours

### Fuse

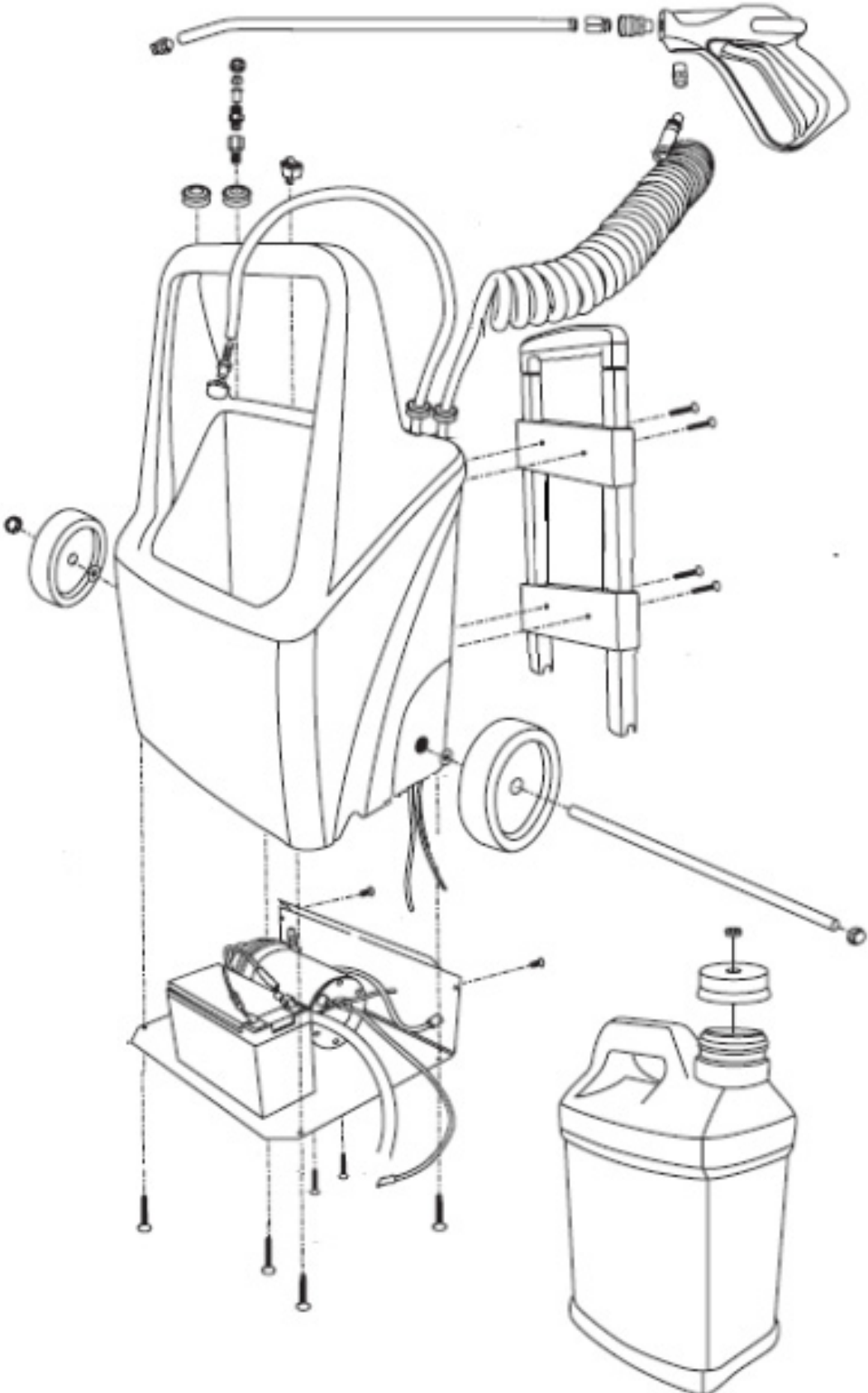
Amps: 10

### Pump

Max Flow: 1 gallon/minute  
Pressure: 50 psi  
Voltage: 12 VDC  
Amperage: 4.0

### Jets

Pre-spray:  
Veejet, Hydro-Force  
part # B281, size= 8005  
Protectant:  
Teejet, Hydro-Force  
Part # B006, size= 6501

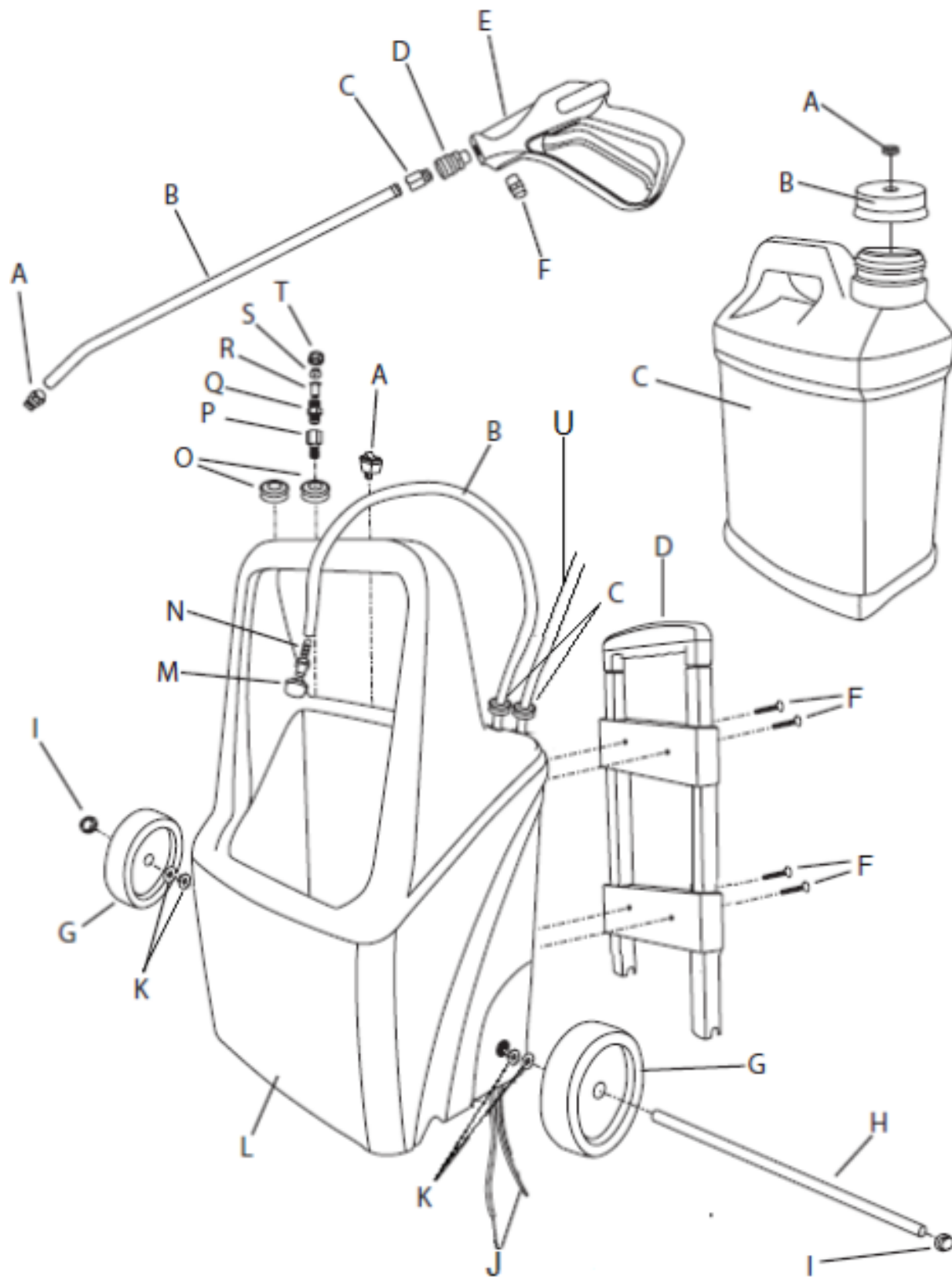


*\*lid is included*

# Complete List of Parts

PART #	DESCRIPTION	QTY	PART #	DESCRIPTION	QTY
AP64	Water Pump	1	NM4061	Base Plate Screws	6
NM4100	Battery	1	NM4115	Handle Screws	4
NM4114	Coil Hose, 15	1	BR112	Coupling ¼" FXF	1
100010	Spray Gun	1	NM4263	TEK Screw	2
NA0833	Extension	1	NM4116	Grommet	3
B281	Veejet 8005 ¼" FPT	1	NM4317	Connector	2
NM4102	Bottle	1	NA0802	Strainer Body	1
NM4103	Cap	1	NA0803	Strainer	1
NA0840	Strainer	1	NA0826	Teejet Cap	1
NA0839	Barb Nylon	1	NM4074	Double Stick Tape	12"
NA0817	Tubing ¼" ID Vinyl	60"	AW17D	Slide cover	1
NM4104	Axle Cap	2	NM4140	Screw Battery Hold Down	2
NM4105	Wheel	1	NM4028	Nut Battery Hold Down	2
NM4110	Extendable Handle	1	NM4255	Washer Battery Hold Down	2
NM4106	Base Plate	1	NM4132	Car Charger (included)	1
NS123	Hose Clamps	4	NM4130	Wall Charger	1
NS162	Elbow Barbs	2	NM4117	Rubber Bushing	2
NM4134	Power Receptacle	1	B006	Upholstery TeeJet 6501	1
NM5124	Screws Power Receptacle	4	BR060	Hose Splicer 1/4"	1
NM5793	Nuts Power Receptacle		XHA07	3/8 Aluminum rod	16.75"
NM4138	Switch Rocker	1	NM4036	Insulator	2
PA079A	Connector (Butt 14-16ga)	2			
NM5020	Wire Red 48 inches	48"			
NM4113	Molded Plastic Body	1			
BR335	Quick Connect Male	2			
BR337	Quick Connect Female	1	NM4064	Washer Spacer 4 Fuse 5 Amp -ATO Fuse Holder	1

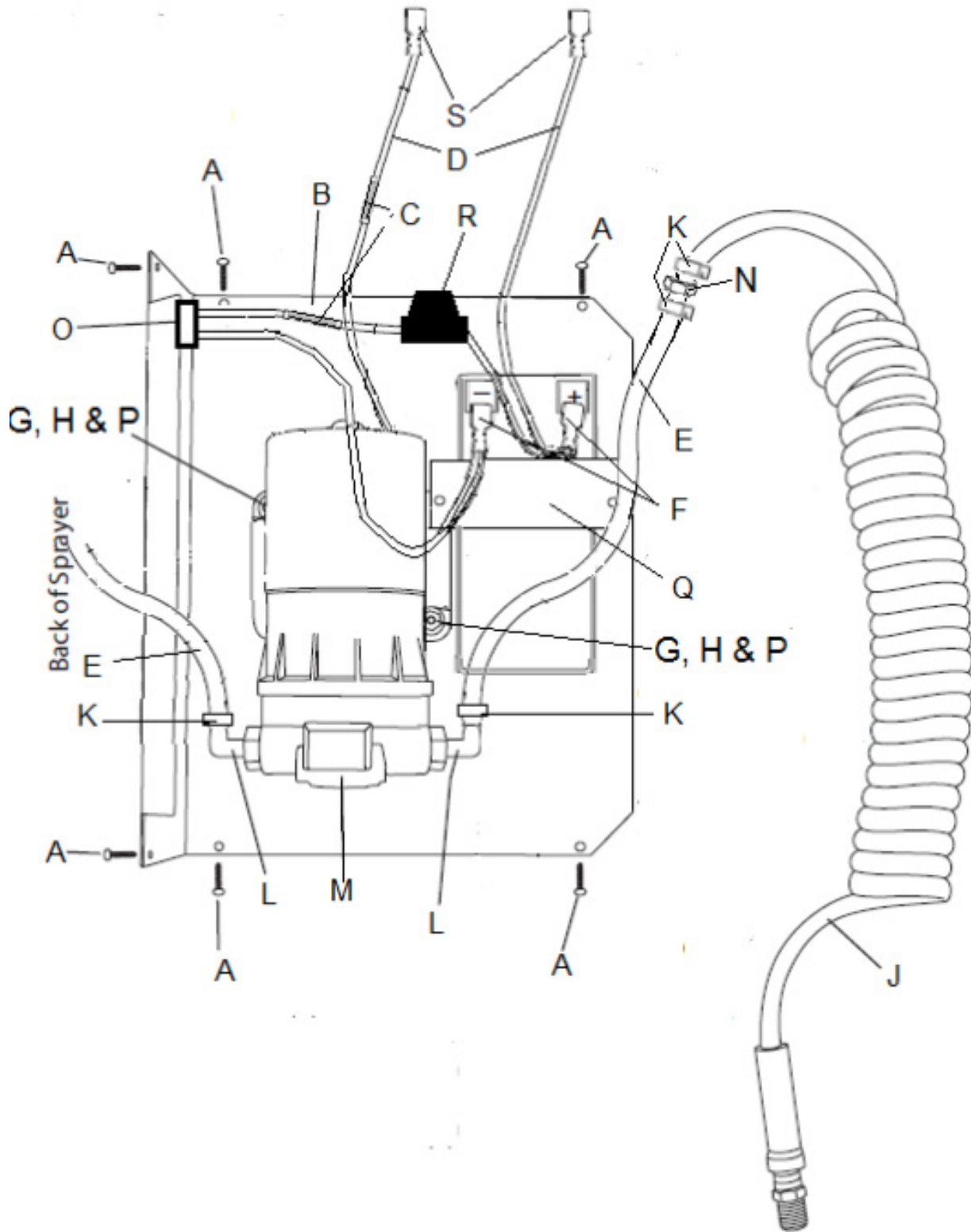
# Sprayer Body and Gun Diagram



# Sprayer Body and Gun Parts List

7

REFERENCE	PART #	DESCRIPTION	QTY
Gun Diagram			
A	B281	Veejet 8005 ¼ FPT	1
B	NA0833	Extension	1
C	BR335	Quick connect - male	1
D	BR337	Quick connect - female	1
E	100010	Spray gun	1
F	BR112	Coupling ¼" FXF	
Bottle Diagram			
A	NM4116	Rubber bushings	1
B	NM4103	Cap	1
C	NM4102	Bottle	1
Sprayer Body Diagram			
A	NM4138	Rocker switch	1
B	NA0817	Tubing ¼: ID vinyl	60"
C	NM4116	Rubber bushings	2
D	NM4110	Handle	1
E	NM4061	Base plate screws	6
F	NM4115	Handle screws	2
G	NM4105	Wheel	2
H	XHA07	3/8" Aluminum rod	16.75"
I	NM4104	Axle cap	2
J	NM5020	Red wire	48"
K	NM4064	Washer	4
L	NM4113	Molded plastic	1
M	NA0840	Strainer	1
N	NA0839	Nylon barb	1
O	NM4117	Rubber bushing	2
P	BR335	Quick connect – male	1
Q	NA0802	Strainer body	1
R	NA0803	Strainer	1
S	B006	Upholstery Teejet 6501	1
T	NA0826	Teejet cap	1



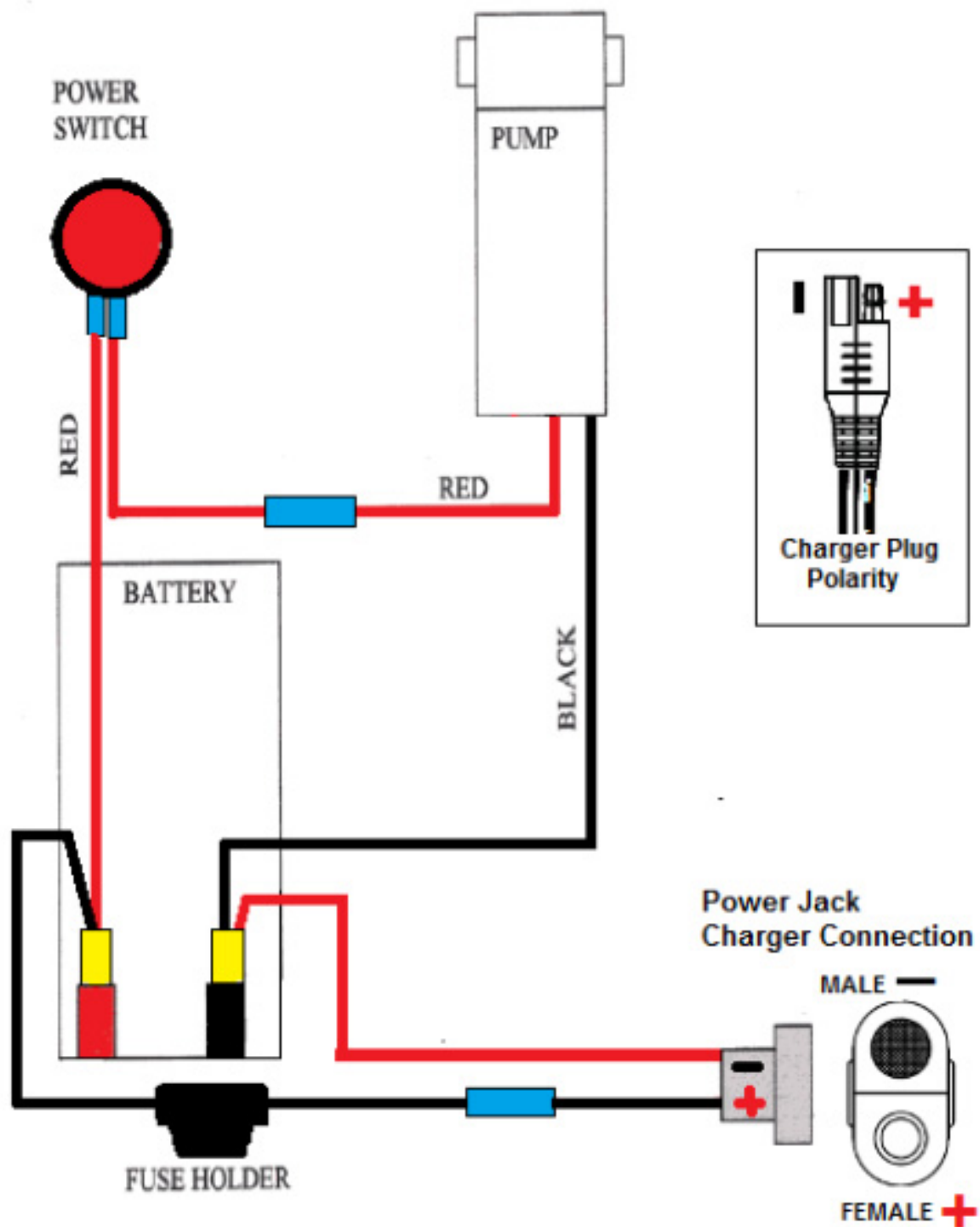


# Sprayer Base Parts List

9

REFERENCE	PART #	DESCRIPTION	QTY
A	NM4061	Base plate screws	6
B	NM4106	Base plate	1
C	PA079A	Splicer wire	2
D	NM5020	Red wire	48"
E	NA0817	Tubing ¼" ID vinyl	60"
F	NM4317	Connectors F 10-12ga	2
G	NM4255	Pump base washers	2
H	NM4028	Pump base nuts	2
I	NM4100	Battery	1
J	NM4114	Coil hose	1
K	NS123	Hose clamps	2
L	NS162	Elbow barb	2
M	AP64	Water pump	1
N	BR060	Hose splicer ¼" barb	1
O	NM4134	Power receptacle	1
	NM5124	Power receptacle screws	4
	NM5793	Power receptacle nuts	4
P	NM4115	Pump base bolts	2
Q	AW17D	Slide	1
	NM4140	Screw	2
	NM4028	Nut battery hold down	
	NM4255	Washers battery hold down	2
N/S	NM4074	Double sided tape	12"
R	N/A	Fuse holder & fuse – included with NM4130	1
S	NM4039	Connector F .18" 14-16ga	2

## WIRING - FLEXI PRO SPRAYER AS75



**NM4132**

Car Charger 12 Volt  
Cigarette Lighter Plug

(Included with Flexi Pro  
Sprayer)



**NM4130**

Wall Charger 110 Volt  
Switchmode Taper Charger

(Included with Flexi Pro  
Sprayer)



**NM4118**

Adapter w/ Alligator Clips  
For Cigarette Lighter Plug

(Optional Accessory)



# Safety and General Maintenance

12

- Run fresh water through the sprayer after each day of use to flush chemical from the pump and hoses.
- Keep chemical containers and strainer screen clean.
- Keep charger connected to sprayer and plugged into to van power supply when not in use to maintain fully charged battery. See Charging section for details.
- While sprayer and pump are made with chemical resistant materials, and can handle a wide range of chemicals, do not assume chemical compatibility.
- Contact distributor or the manufacturer with questions regarding chemical compatibility.
- No warranty, expressed or implied, can be considered where component failure is caused by chemical effects.
- Label all containers to properly identify chemicals.
- Do not use to spray liquids with temperatures above 160°F (71°C.)
- Do not use to spray flammable or combustible liquids.
- Do not use sprayer where flammable vapors are present.
- Pump can run dry without damage.
- If stored in possible freezing conditions the sprayer must be liquid free or winterized with anti-freezing chemical.
- Do not operate without inlet strainer.

---

## Charging

The Flexi Pro Sprayer is the strongest, best built 12 volt sprayer on the market. With proper use, the Flexi Pro's robust "non-memory" battery will give long, reliable service. Two chargers are included with each Flexi Pro Sprayer. Proper use of these chargers is required to get the maximum use from the Flexi Pro battery. Do not fully discharge battery. Keep charged between uses to prolong its service life.

The NM4132 Car Charger is included with the Flexi Pro Sprayer. It can be plugged into the vehicle cigarette lighter or accessory power outlet and connected to the Flexi Pro Sprayer to "top-off" the battery charge between jobs. The vehicle must be running to produce the voltage required for proper charging.

The NM4130 Wall Charger is included with the Flexi Pro Sprayer. This charger is plugged into an 110v wall outlet and connected to the Flexi Pro Sprayer when longer charging times are required to fully charge the battery. A heavily discharged battery may require 4 -8 hours to regain a full charge. The NM4130 Wall Charger is a switchmode taper charger and can remain connected to

the Flexi Pro Sprayer for extended periods (months) to maintain the battery charge when the sprayer is not being used. Do not store battery in a discharged state. Connect the charger before storing sprayer. The red light on the battery charger indicates that the battery charge is low and the charger is operating in the charging mode. The green light on the charger indicates the battery is fully charged & the charger has switched to the maintenance mode.

Warning: Old Style Wall Chargers (NM4108 & NM4108A sold before September 2008) can only be used for a maximum of 12 hours. Overheating of the battery will occur with longer charging time, with the result being reduced battery life or, with extreme cases, battery failure. If you are unsure of which charger you have contact Hydro-Force for assistance in identifying your charger.

---

## Operation

Unused batteries can lose their charge. Test the sprayer before using on a job to ensure that the battery is charged. See the “Charging” section for instructions on how to charge the battery.

1. Fill chemical container with desired chemical and place container in the Flexi Pro Sprayer.
2. Place the chemical feed hose into the chemical container and secure the cap.
3. Turn the switch to the ON position and spray into a container until pump is primed. Turn the switch to the OFF position. (Properly dispose of the sprayed chemical.)
4. Place the proper size jet on the spray gun for the present application.
5. Move the sprayer to the location where the sprayer is to be used.
6. Turn the switch to the ON position and spray chemical as needed.
7. When the job is completed, turn the switch to the OFF position.
8. Return the sprayer to your van.
9. Remove the chemical feed hose from the chemical container and replace the solid cap for storage.
10. Place the chemical feed hose into a container filled with water.
11. Turn the switch to the ON position and spray into a container until the chemical is flushed out of the pump and hoses. (Properly dispose of the sprayed chemical and water.)
12. Turn the switch to the OFF position and return the sprayer to its storage spot in your van.
13. Connect the charger to the sprayer and plug the charger into the van power source.

<b>Problem</b>	<b>Cause</b>	<b>Solution</b>
Pump not turning on - No power	Battery not charged Fuse Blown Battery faulty Faulty switches or internal wiring Pump motor faulty Pump seized	Recharge battery - (see Charging) Check fuses- Replace as needed Replace battery Check wiring & test switches - repair as needed Replace pump motor Repair or replace pump head & bearing - Check motor
Battery not charging	Failure to follow Charging instructions Power source out  Fuse blown Battery faulty Charger faulty Faulty internal wiring	Review Charging section  Check fuses - Replace as needed. Find a different power source Replace fuse & check for shorts Replace battery Replace charger & check fuse Check wiring - Repair as needed
Not spraying properly	Jet clogged Jet worn Chemical hose not submerged in jug Chemical filter clogged (intake) Air leak in chemical hose (intake) Chemical hose restricted (intake) Chemical jug not vented  Spray hose restricted (outlet) Spray valve faulty Debris in pump head  Pump faulty Battery not charged Battery faulty Faulty switches or internal wiring Chemical too thick to pump properly	Clean or replace jet Replace jet Ensure end of chemical hose with filter is in the chemical Clean or replace filter Repair or replace hose Un-kink, clean out or replace hose Remove cap - enlarge hole in cap for hose Un-kink, clean out or replace hose Repair or replace valve Clean out pump head - Replace valves as needed Repair or replace pump Recharge battery Replace battery Check wiring & test switches Charge chemicals - Must be similar in viscosity to water
Solution dripping from jet with valve closed	Spray valve faulty Check valve faulty Jet worn Extension faulty	Repair or replace valve Replace check valve Replace jet Replace extension

# LIMITED WARRANTY

Flexi Pro Sprayer is designed to provide years of reliable service. If a problem should arise, use the troubleshooting section in the operation manual to diagnose and correct the problem if possible.

If unable to determine the cause or solution to the problem, contact the distributor or Hydro-Force for assistance.

Hydro-Force warrants the Flexi Pro Sprayer to be free of defects in material and workmanship. This warranty shall extend for one year from the date of purchase.

During the warranty period, Hydro-Force will, at its option, repair or replace components which prove to be defective. This warranty does not provide for replacement of complete units due to defective components. Any costs for transportation or related service labor are not covered in this warranty. Replacement parts are warranted only for the remainder of the original warranty period.

This warranty shall not apply to defects resulting from improper operation, lack of maintenance, unauthorized modification, chemical incompatibility, misuse, abuse, or exposure to freezing temperature conditions. It does not cover normal wear items such as o-rings, valve seals, pump seals, hoses, jets, cords, batteries, chemical bottles, or other items which require replacement as a result of ordinary usage.

To obtain warranty service for the Flexi Pro Sprayer, contact your distributor or Hydro-Force. If the sprayer must be returned to HydroForce or an authorized service center, the purchaser shall prepay shipping charges for products returned for warranty service. All returns must have a Return Authorization number, issued by Hydro-Force, clearly marked on the exterior of the package. No returned items will be accepted by HydroForce without prior authorization.

Hydro-Force makes no other warranty, either expressed or implied, with respect to this product.

The remedies provided herein are the purchaser's sole and exclusive remedies. In no event shall Hydro-Force be liable for any direct, indirect, special, incidental, or consequential damages.

This warranty provides specific legal rights. Other rights may exist which vary from jurisdiction to jurisdiction.